

4

3

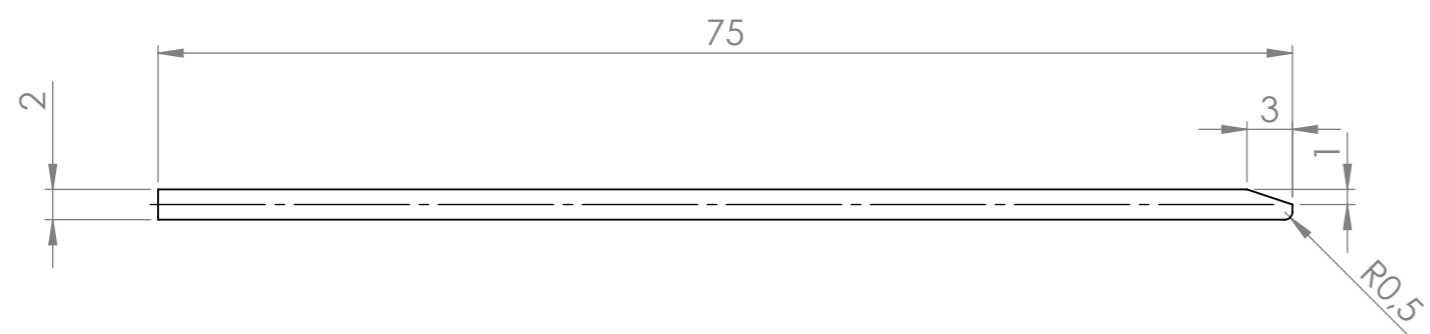
2

1

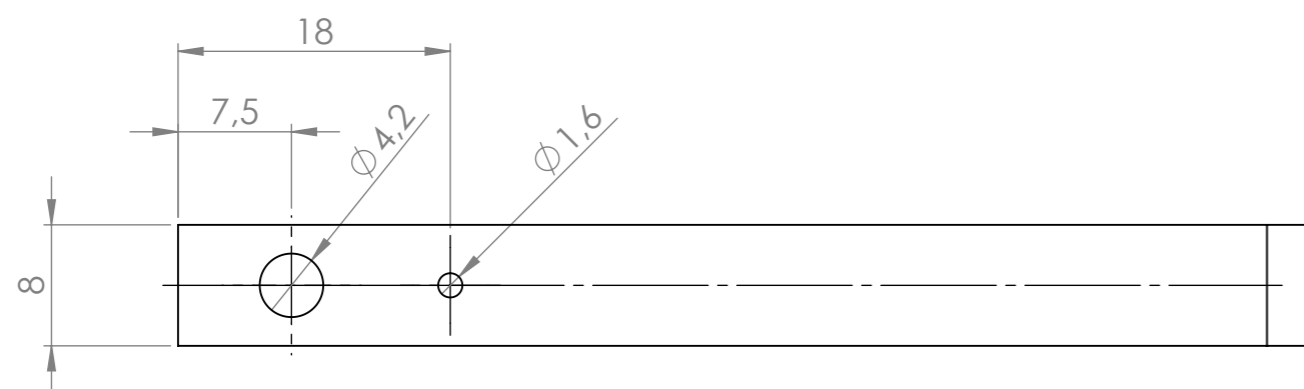
Changes after last approved version:

D - geometrian muutoksia
E - sokan reikä siirretty 1mm

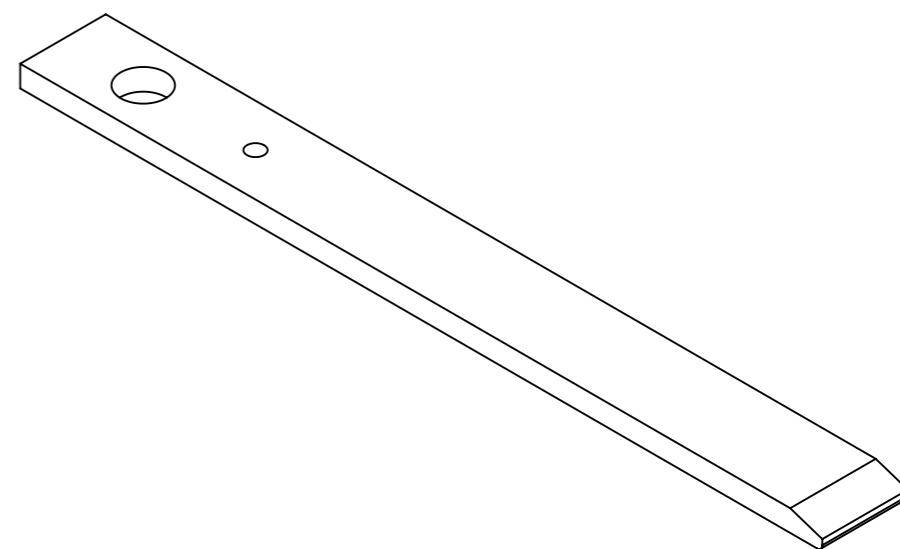
D



C



B



Notes:

- 3D Data is master data for part dimensions. This drawing only gives additional information.
- Visual quality requirements:
 - No burrs, flashes or sinkmarks allowed on visible surfaces, all visible surfaces spark eroded (VDI 33)
- Dimensions with dimension numbers must be reported for tool approval
- Numbered dimension changes:
 - Removed: -
 - Added: -

A

The title to the product drawings belongs to Parkkisähkö Oy. Their copying, modifying and assignment to a third party as well as their exploitation are forbidden without an express consent.

© 2016 Parkkisähkö Oy

**TOLERANCES OF
LINEAR DIMENSION
Fine ISO 2768-f**

Dimension	Tolerance
0.5 - 3	± 0.05
3 - 6	± 0.05
6 - 30	± 0.1
30 - 120	± 0.15
120 - 400	± 0.2
400 - 1000	± 0.3
1000 - 2000	± 0.5
2000 - 4000	-

P Parkkisähkö Oy
Itälahdenkatu 21
00210 Helsinki

Sheet 1/1

Material Copper
Scale 2:1
Paper Size A3

Color

Surface requirement

Description
Connector bar
Contact

3D Number
9910530
Drawing Number
9910530

Drawing Revision	Part Revision	Name / Date	Approved / Date
E	E	Peter A 22.3.2017	

KL