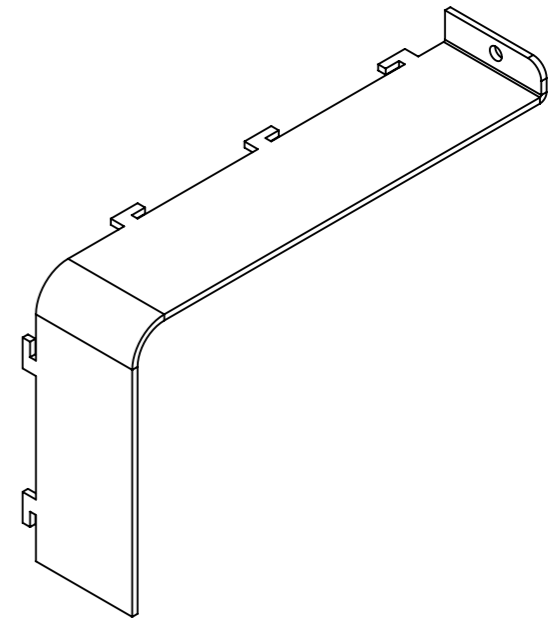
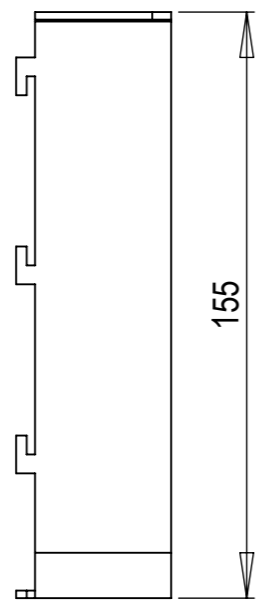
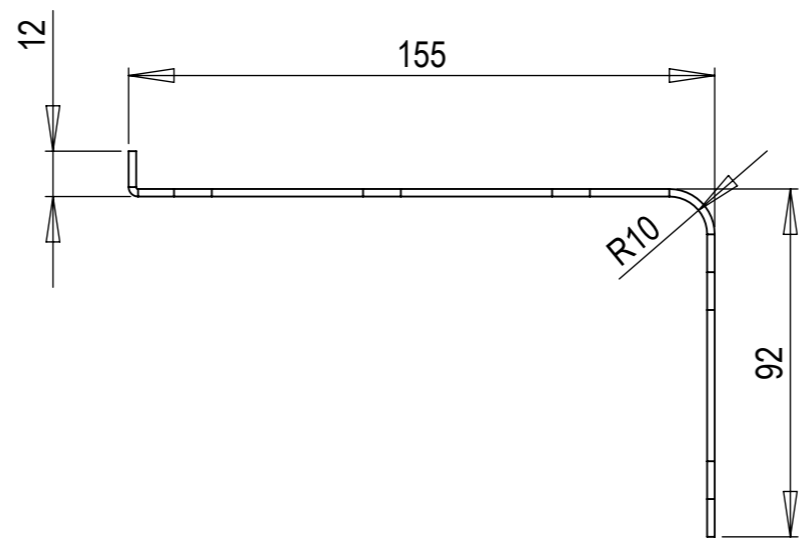
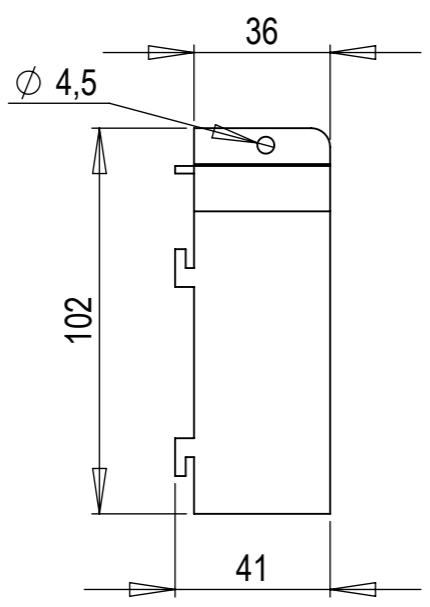
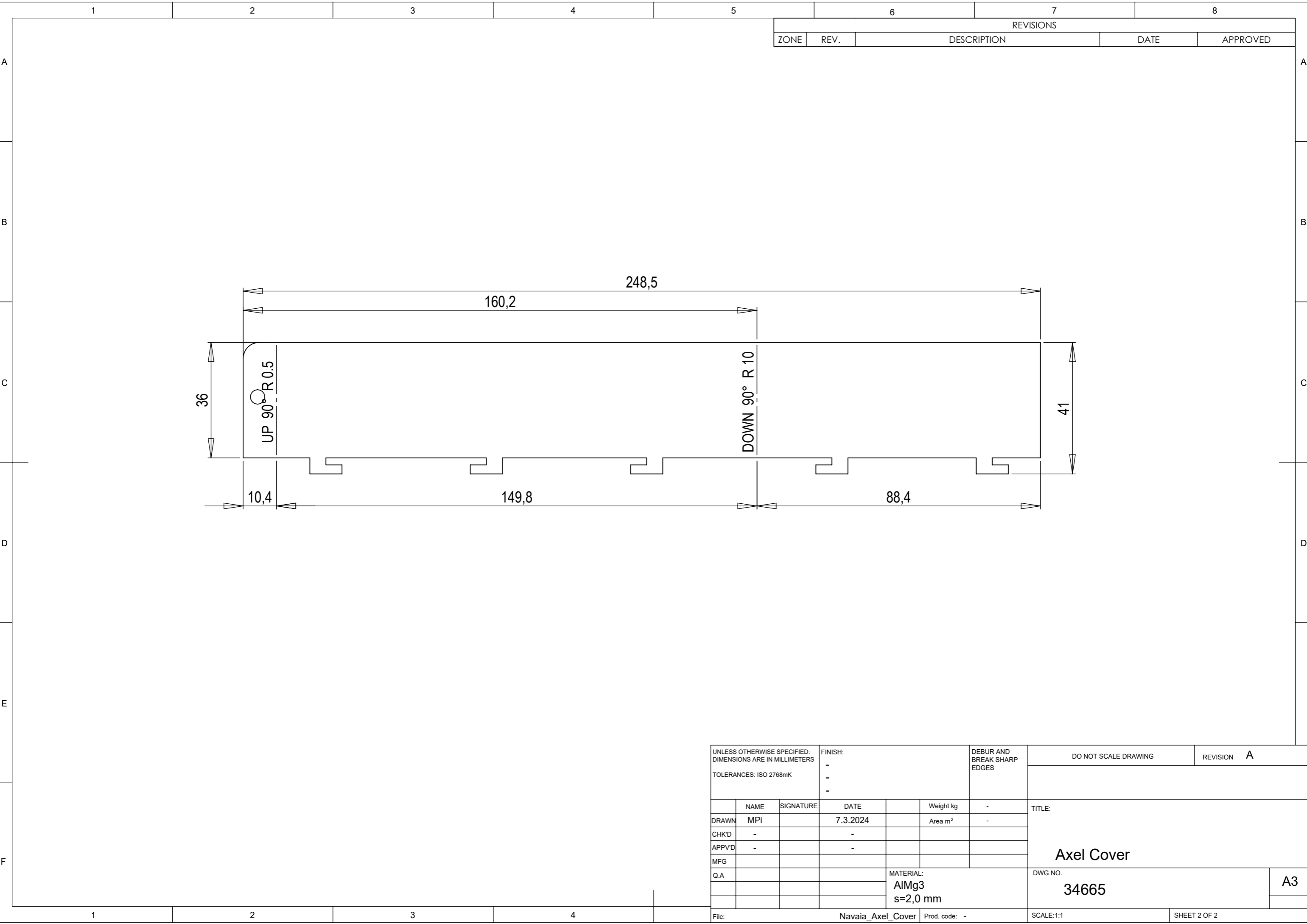


REVISIONS				
ZONE	REV.	DESCRIPTION	DATE	APPROVED



UNLESS OTHERWISE SPECIFIED: DIMENSIONS ARE IN MILLIMETERS		FINISH: -		DEBUR AND BREAK SHARP EDGES		DO NOT SCALE DRAWING		REVISION <b>A</b>	
TOLERANCES: ISO 2768mK		-		-		-		-	
	NAME	SIGNATURE	DATE	Weight kg	-	TITLE:			
DRAWN	MPI		7.3.2024	Area m <sup>2</sup>	-	<b>Axel Cover</b>			
CHK'D	-		-						
APPV'D	-		-						
MFG									
Q.A				MATERIAL: <b>AlMg3</b> <b>s=2,0 mm</b>		DWG NO. <b>34665</b>		<b>A3</b>	
File:		Navaia_Axel_Cover		Prod. code: -		SCALE:1:2		SHEET 1 OF 2	



REVISIONS				
ZONE	REV.	DESCRIPTION	DATE	APPROVED

UNLESS OTHERWISE SPECIFIED: DIMENSIONS ARE IN MILLIMETERS		FINISH: -		DEBUR AND BREAK SHARP EDGES		DO NOT SCALE DRAWING		REVISION <b>A</b>	
TOLERANCES: ISO 2768mK		-		-					
	NAME	SIGNATURE	DATE	Weight kg	-	TITLE:  <b>Axel Cover</b>			
DRAWN	MPI		7.3.2024	Area m <sup>2</sup>	-				
CHK'D	-		-						
APPV'D	-		-						
MFG									
Q.A				MATERIAL: AlMg3 s=2,0 mm		DWG NO. <b>34665</b>		A3	
File:		Navaia_Axel_Cover		Prod. code: -		SCALE:1:1		SHEET 2 OF 2	