

1 2 3 4 5 6 7 8

REVISIONS				
ZONE	REV.	DESCRIPTION	DATE	APPROVED
	A	Lisätty 2mm pyöristys kulmaan	17.4.2024	

A

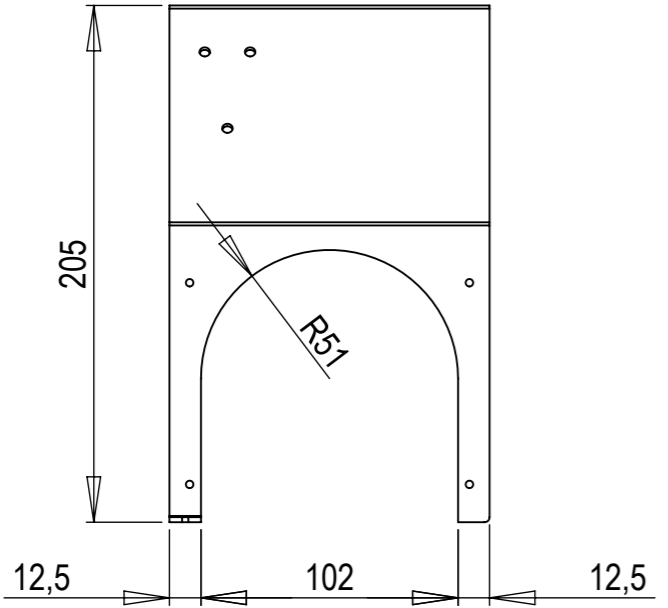
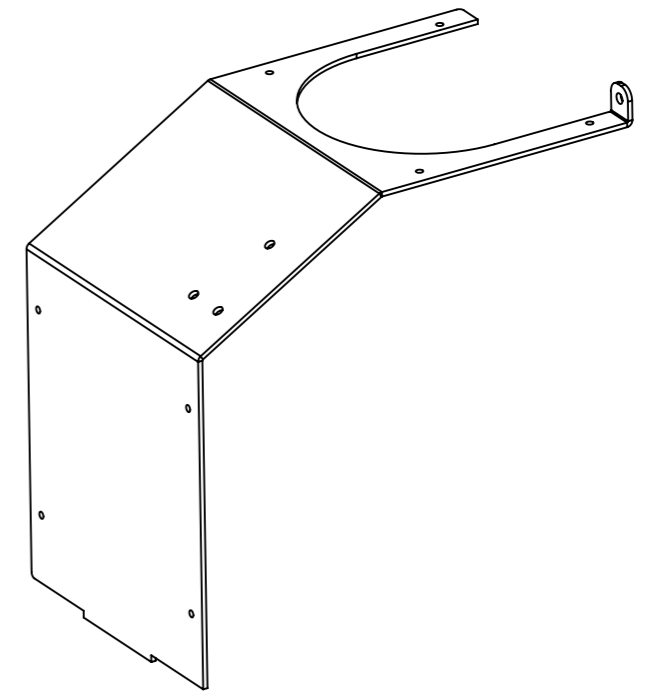
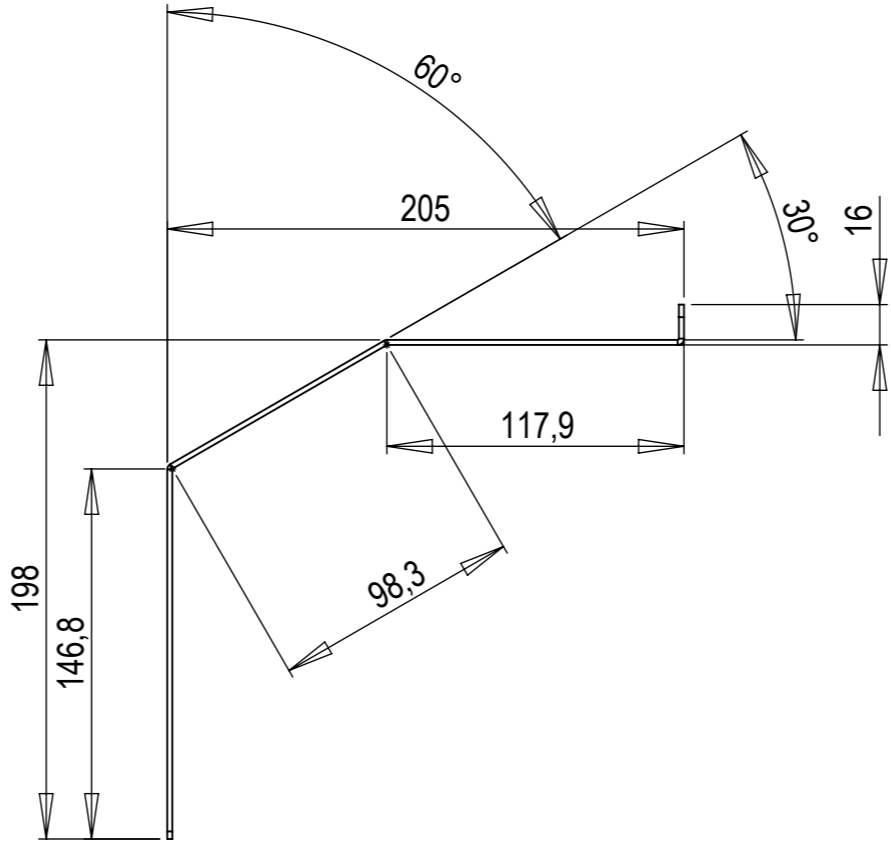
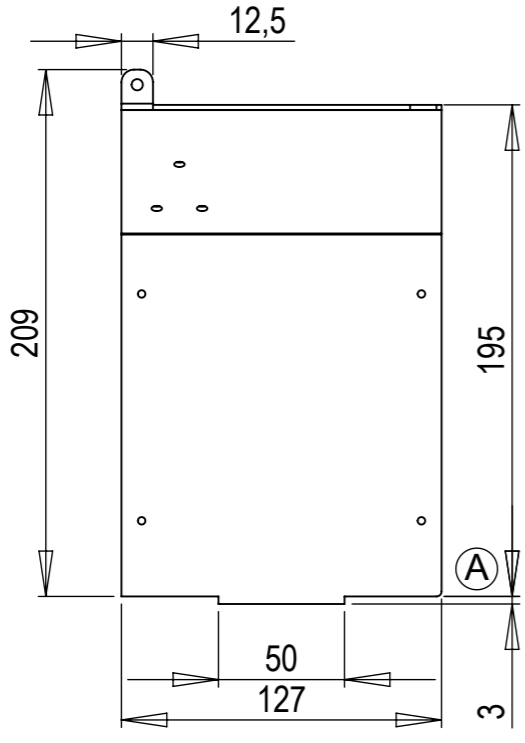
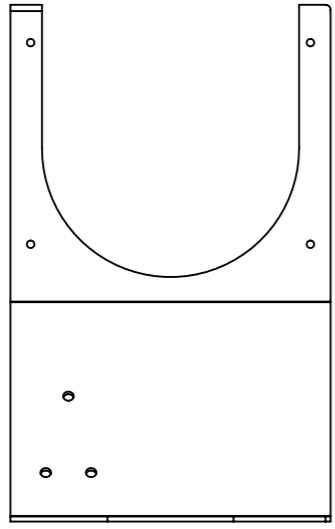
B

C

D

E

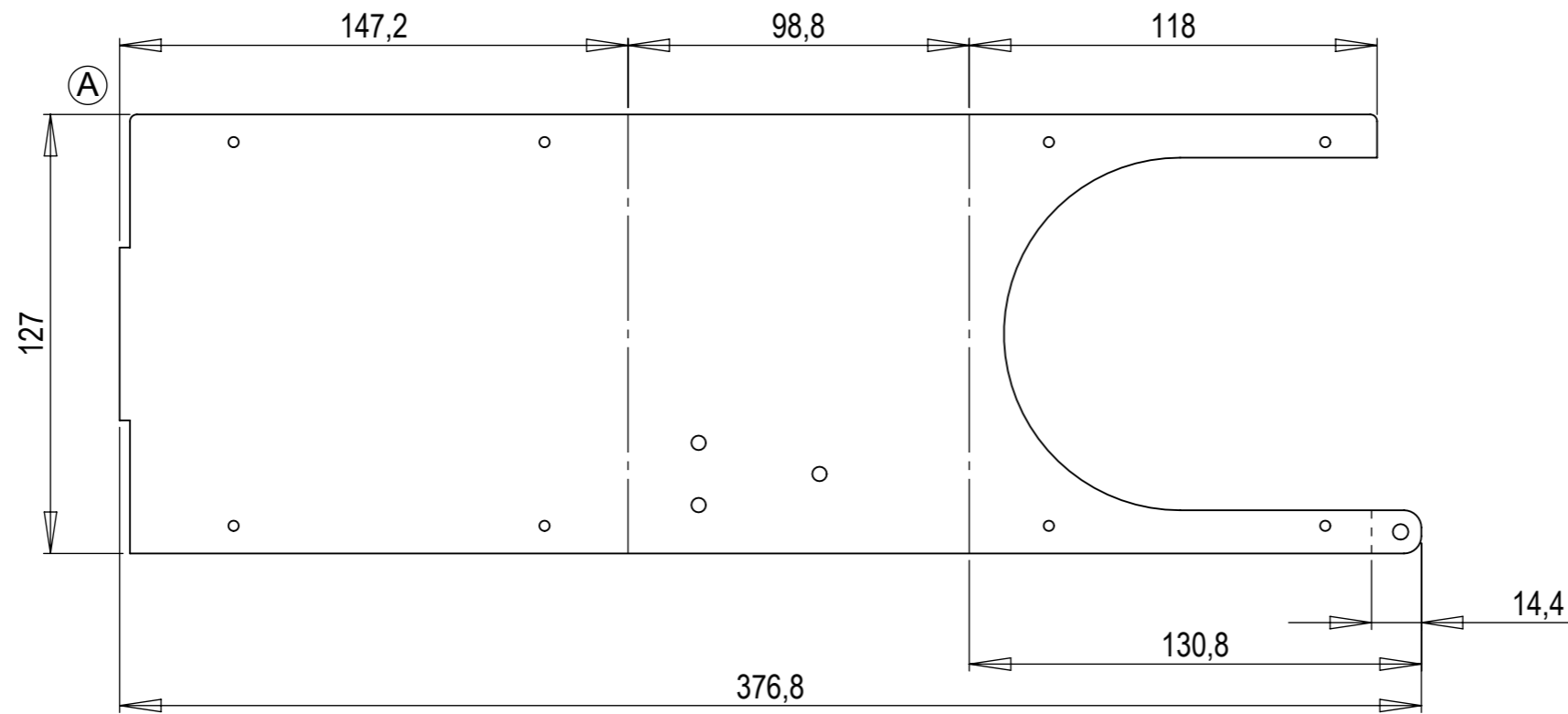
F



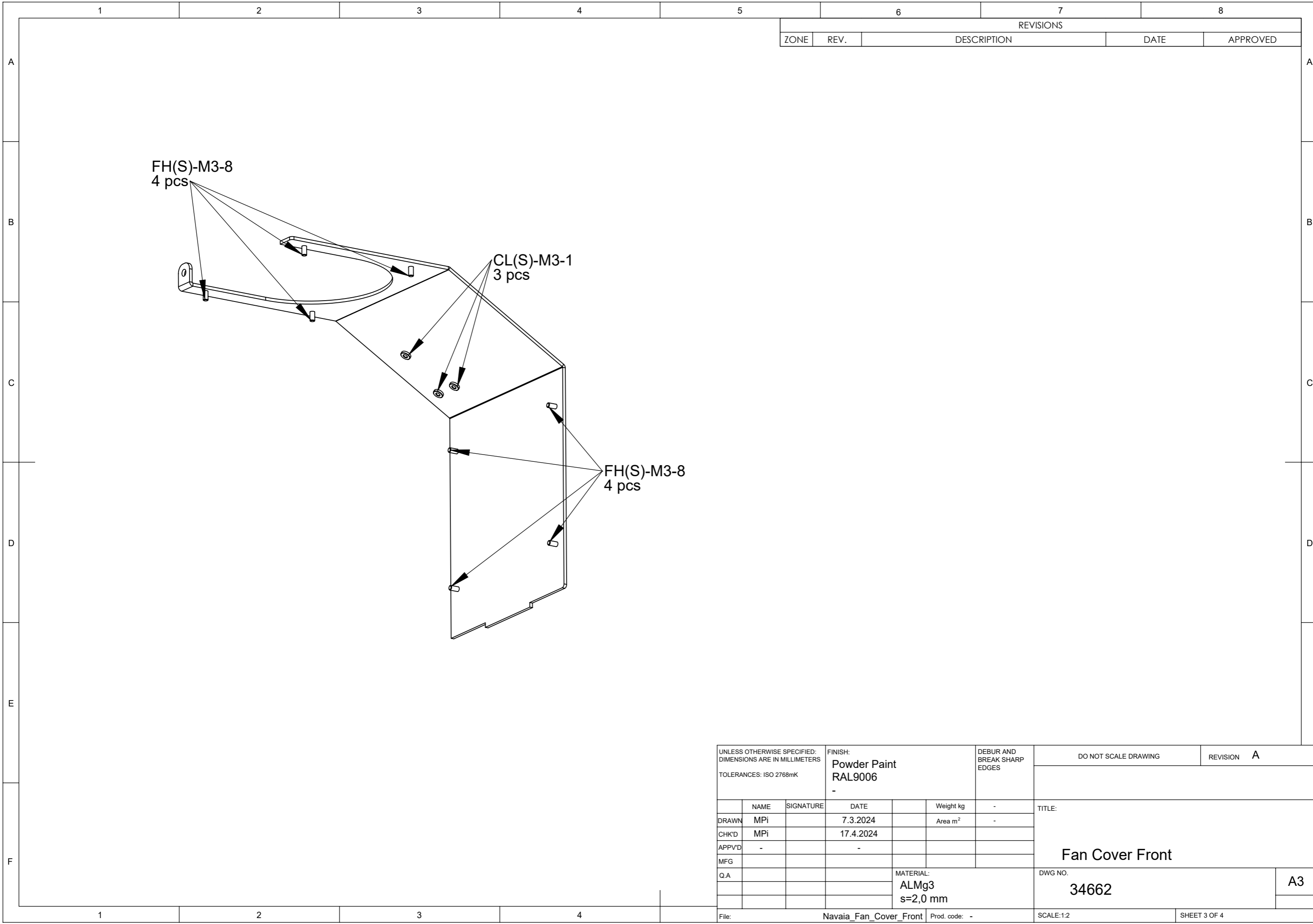
UNLESS OTHERWISE SPECIFIED: DIMENSIONS ARE IN MILLIMETERS		FINISH: Powder Paint RAL9006		DEBUR AND BREAK SHARP EDGES		DO NOT SCALE DRAWING		REVISION <b>A</b>	
TOLERANCES: ISO 2768mK		-		-		-		-	
	NAME	SIGNATURE	DATE	Weight kg	-	TITLE:  <b>Fan Cover Front</b>			
DRAWN	MPI		7.3.2024	Area m <sup>2</sup>	-				
CHK'D	MPI		17.4.2024						
APPV'D	-		-						
MFG									
Q.A				MATERIAL: ALMg3 s=2,0 mm		DWG NO. <b>34662</b>		A3	
File:		Navaia_Fan_Cover_Front		Prod. code: -		SCALE:1:3		SHEET 1 OF 4	

1 2 3 4

REVISIONS				
ZONE	REV.	DESCRIPTION	DATE	APPROVED
	A	Lisäty 2mm pyöristys kulmaan	17.4.2024	

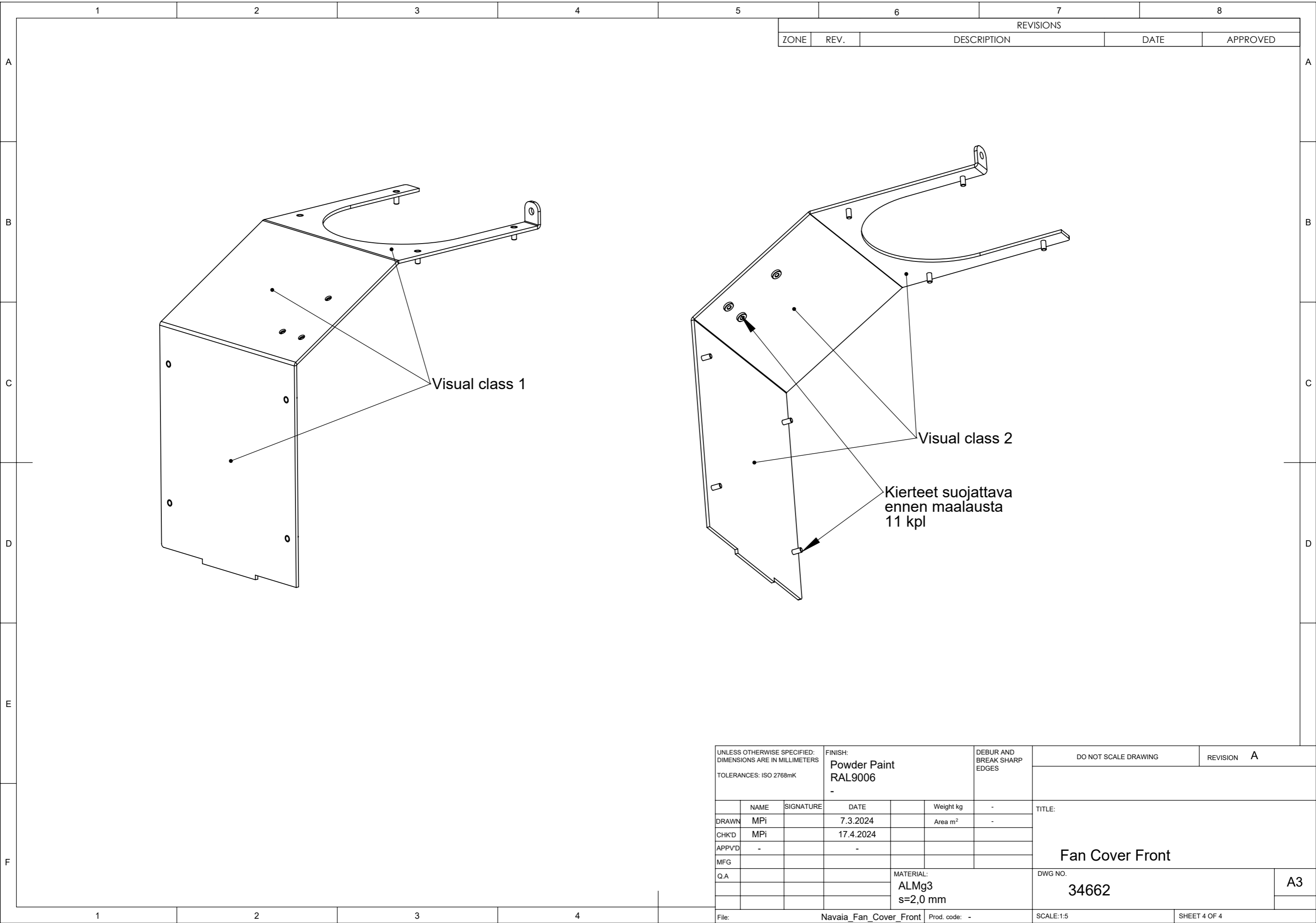


UNLESS OTHERWISE SPECIFIED: DIMENSIONS ARE IN MILLIMETERS		FINISH: Powder Paint RAL9006		DEBUR AND BREAK SHARP EDGES		DO NOT SCALE DRAWING		REVISION <b>A</b>	
TOLERANCES: ISO 2768mK		-		-					
	NAME	SIGNATURE	DATE	Weight kg	-	TITLE:  <b>Fan Cover Front</b>			
DRAWN	MPI		7.3.2024	Area m <sup>2</sup>	-				
CHK'D	MPI		17.4.2024						
APPV'D	-		-						
MFG									
Q.A				MATERIAL: ALMg3 s=2,0 mm		DWG NO. <b>34662</b>		A3	
File:		Navaia_Fan_Cover_Front		Prod. code: -		SCALE:1:2		SHEET 2 OF 4	

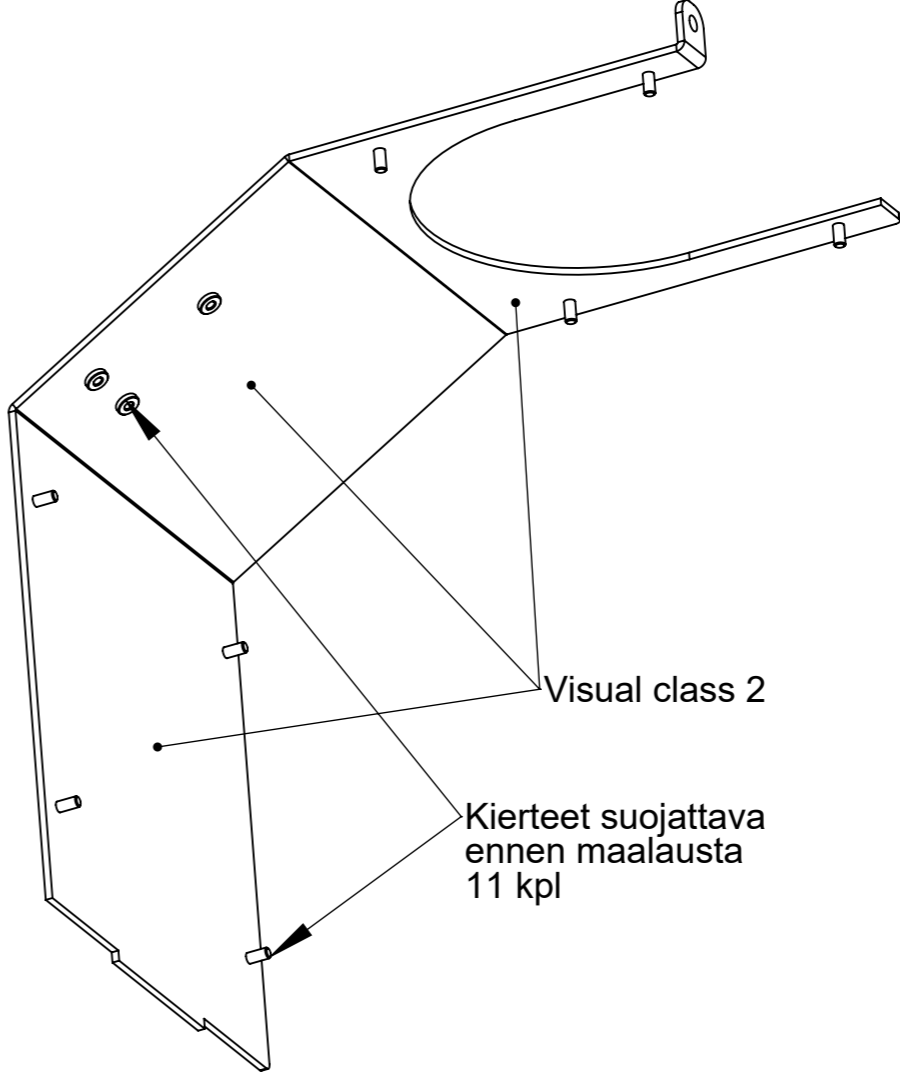
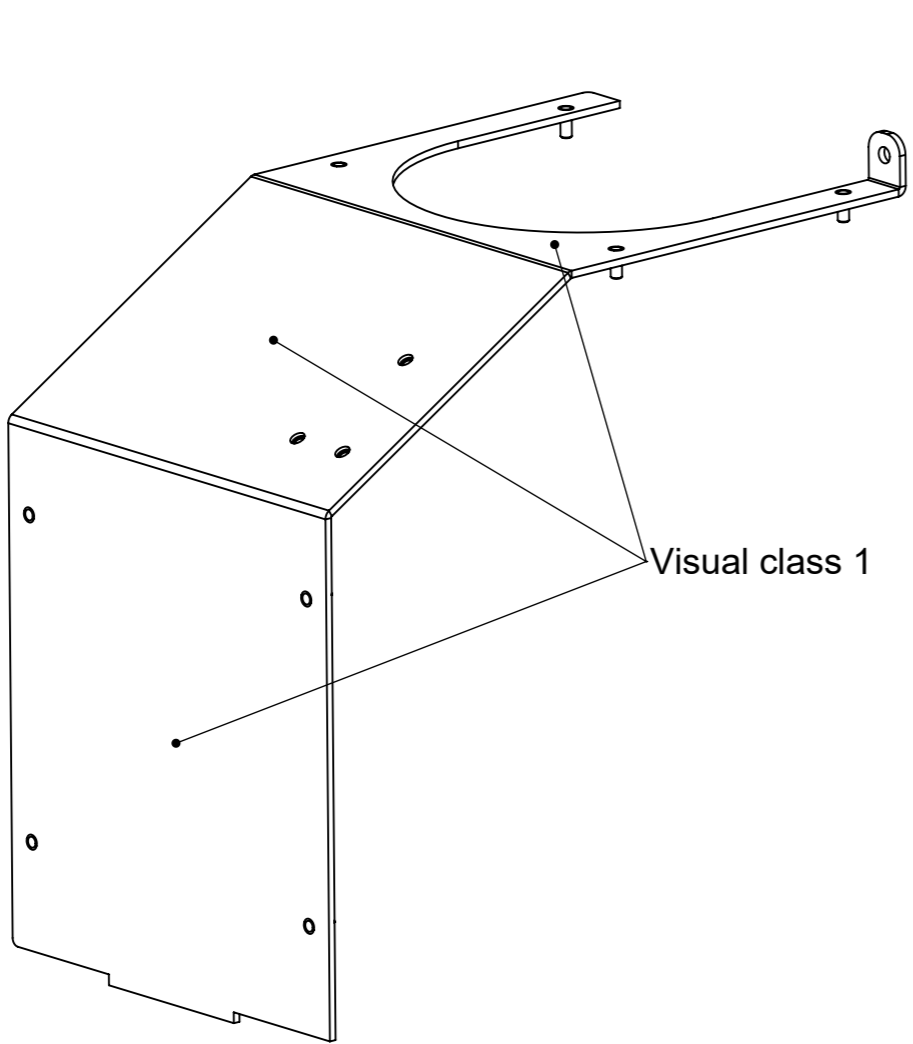


REVISIONS				
ZONE	REV.	DESCRIPTION	DATE	APPROVED

UNLESS OTHERWISE SPECIFIED: DIMENSIONS ARE IN MILLIMETERS		FINISH: Powder Paint RAL9006		DEBUR AND BREAK SHARP EDGES		DO NOT SCALE DRAWING		REVISION <b>A</b>	
TOLERANCES: ISO 2768mK		-		-					
	NAME	SIGNATURE	DATE	Weight kg	-	TITLE:  <b>Fan Cover Front</b>			
DRAWN	MPI		7.3.2024	Area m <sup>2</sup>	-				
CHK'D	MPI		17.4.2024						
APPV'D	-		-						
MFG									
Q.A				MATERIAL: ALMg3 s=2,0 mm		DWG NO. <b>34662</b>		A3	
File:		Navaia_Fan_Cover_Front		Prod. code: -		SCALE:1:2		SHEET 3 OF 4	



REVISIONS				
ZONE	REV.	DESCRIPTION	DATE	APPROVED



UNLESS OTHERWISE SPECIFIED: DIMENSIONS ARE IN MILLIMETERS		FINISH: Powder Paint RAL9006		DEBUR AND BREAK SHARP EDGES		DO NOT SCALE DRAWING		REVISION <b>A</b>	
TOLERANCES: ISO 2768mK		-		-					
	NAME	SIGNATURE	DATE	Weight kg	-	TITLE:  <b>Fan Cover Front</b>			
DRAWN	MPI		7.3.2024	Area m <sup>2</sup>	-				
CHK'D	MPI		17.4.2024						
APPV'D	-		-						
MFG									
Q.A				MATERIAL: ALMg3 s=2,0 mm		DWG NO. <b>34662</b>		A3	
File:		Navaia_Fan_Cover_Front		Prod. code: -		SCALE:1:5		SHEET 4 OF 4	