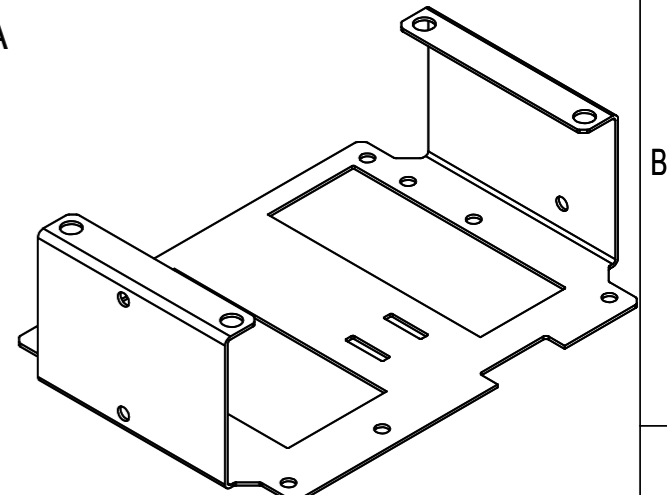
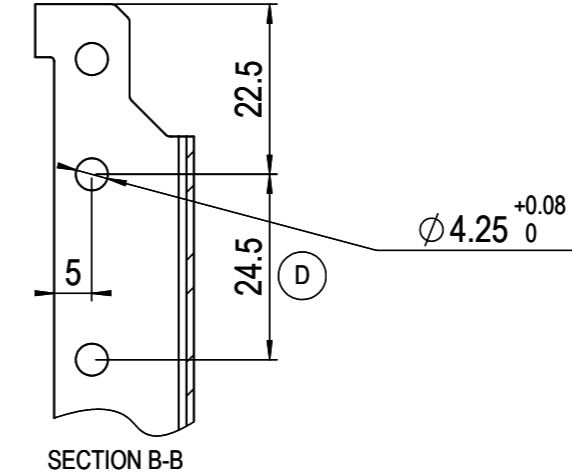
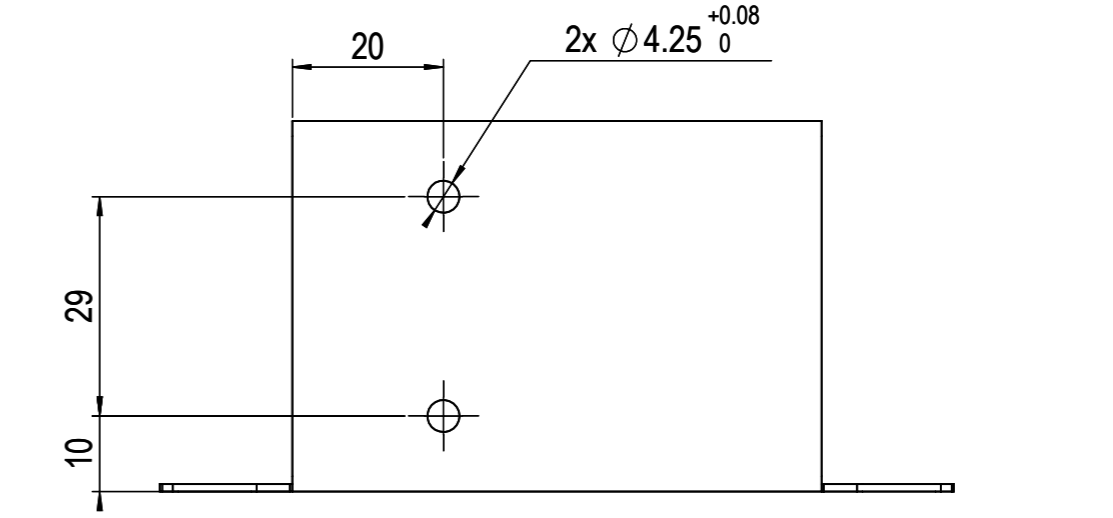
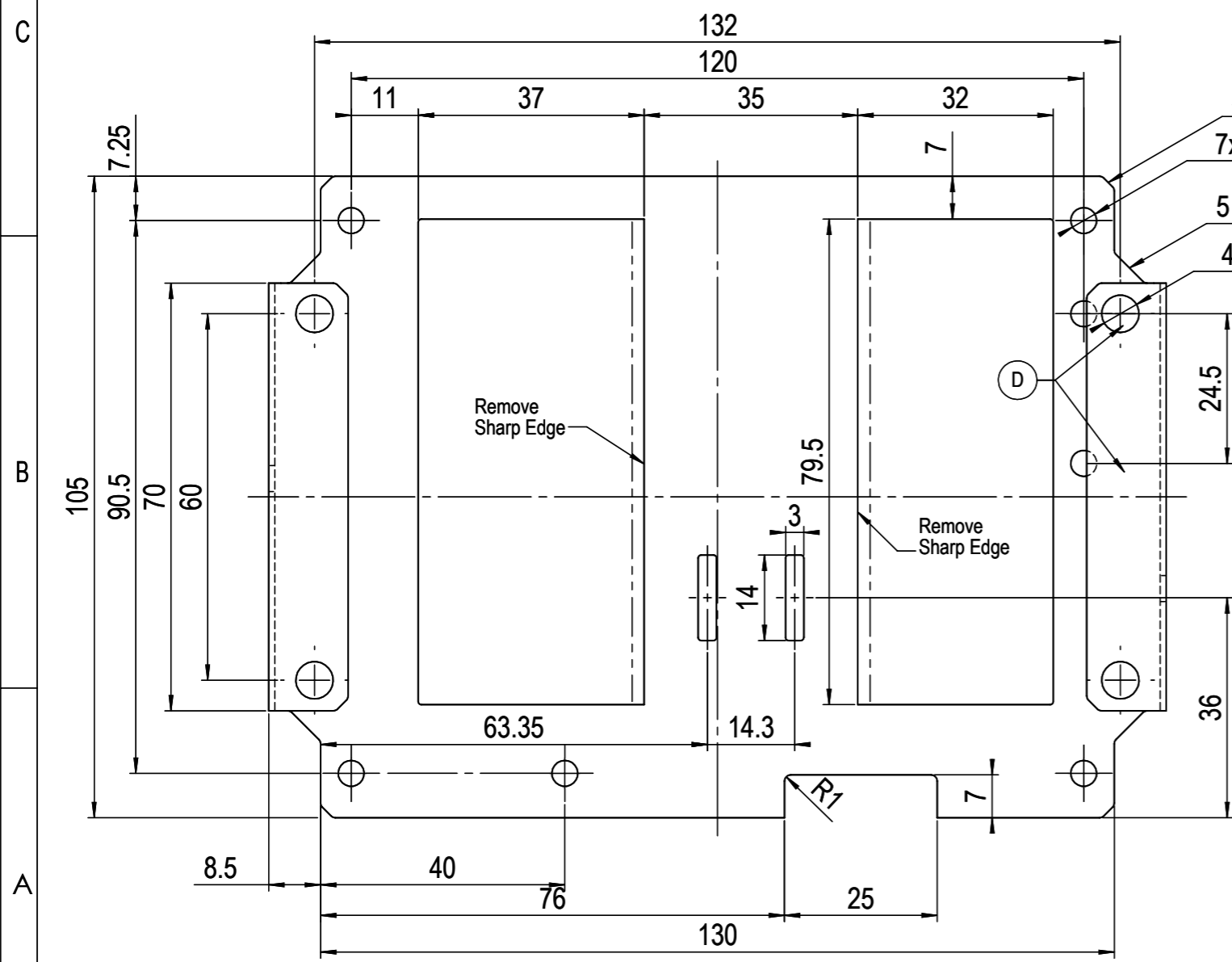
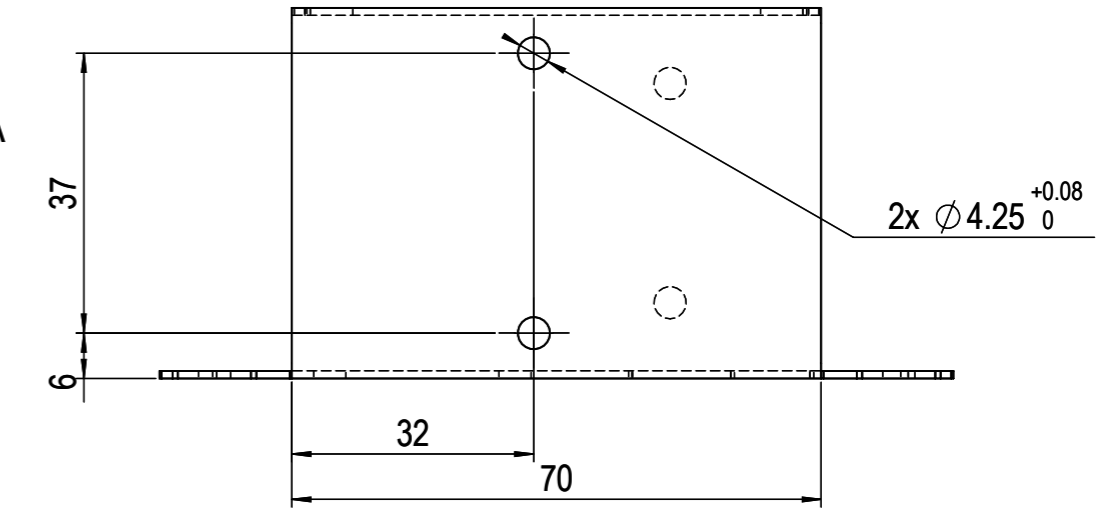
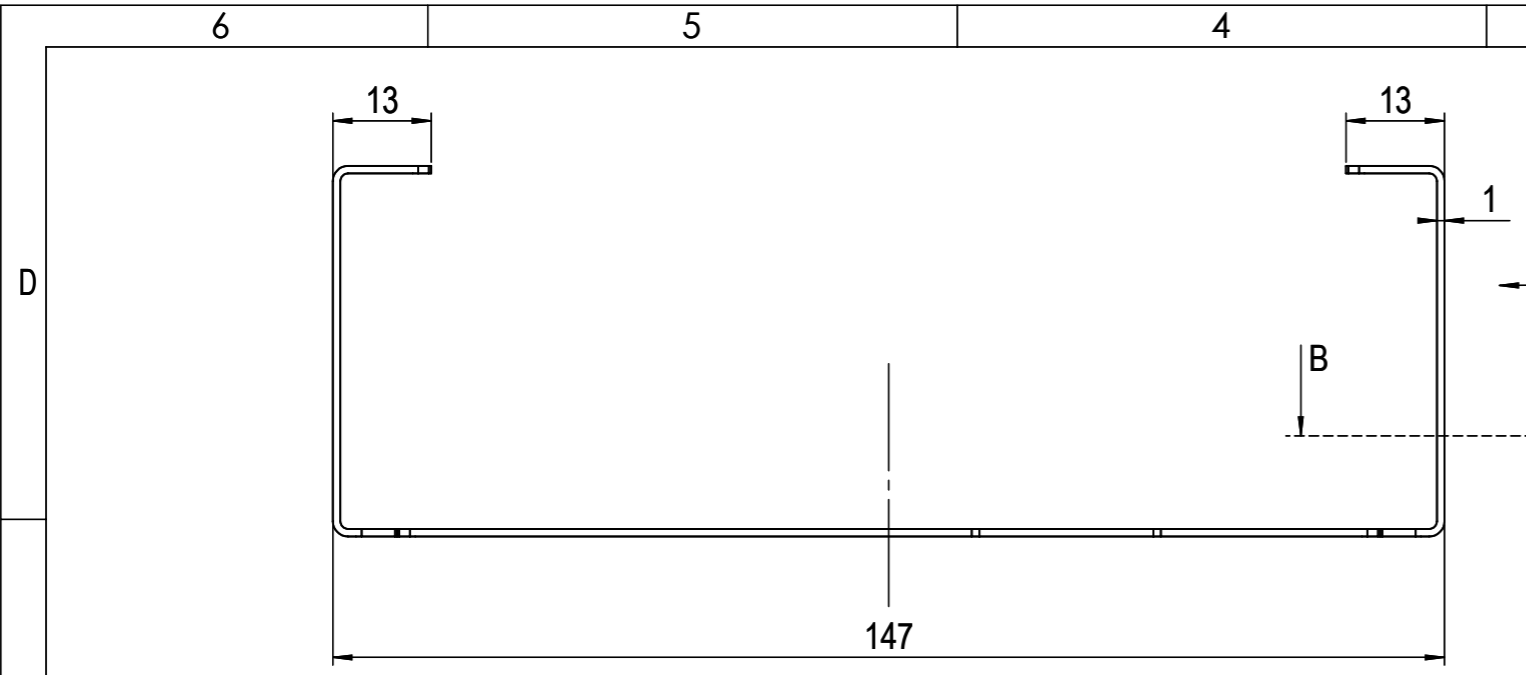


NOTE: This information is CONFIDENTIAL and PROPRIETARY to VAISALA. It is furnished with understanding that the information will not be copied or disclosed without the written consent of VAISALA. These materials are subject to the exemption 5 U.S.C. Section 552 (b) (4) which provides that trade secrets and commercial or financial information shall not be disclosed to third parties.

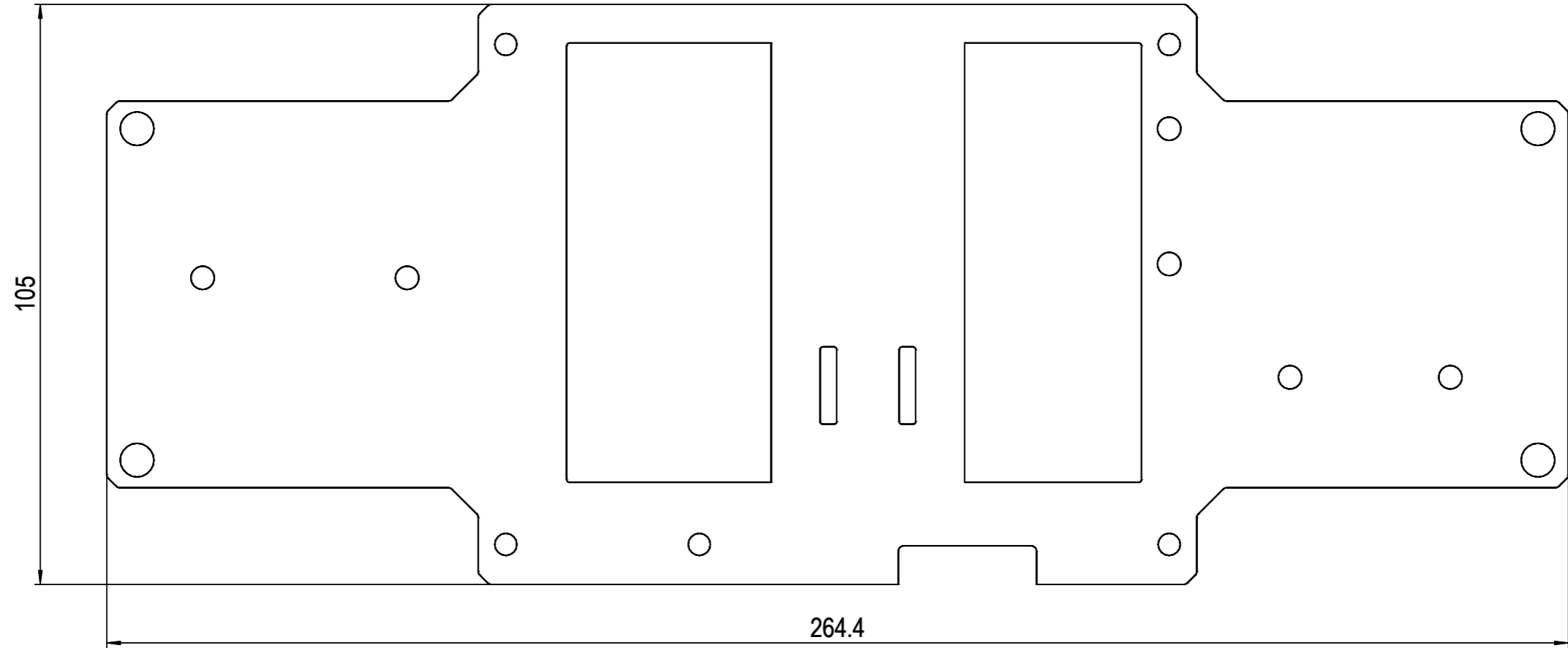
Rev.	Qty.	Description	ECO no.	Design	Reviewed	Approved
D		Thermostat mounting holes moved	ECO218430	EXT00045	2013-05-27 JLAM	2013-12-04 MIJ



NOTE: Remove all burrs and sharp edges

General tolerance	ISO 2768-m	Design		VAISALA
Material	AISI 304 PL 1	Weight	0.14 kg	
Finish	Iridite NCP ✓ Laser Cutting	Supplier code		Title Base Plate, Sheet for ASM210268
		Replace		
		DOCUMENT CREATION DATA YYYY-MM-DD INITIALS		Size A3
		Creator	2010-12-01 JLAM	
		Review	2010-12-27 SEM	Code DRW235970
		Approved	2010-12-28 MIJ	
FIRST ANGLE PROJECTION	DIMENSIONS ARE IN MILLIMETERS, UNLESS OTHERWISE SPECIFIED	Archive ID	SLD227855-D	Scale 1:1
				Rev D
				Sheet 1 of 2

Rev.	Qty.	Description	ECO no.	Design	Reviewed	Approved
D		Thermostat mounting holes moved	ECO218430	EXT00045	2013-05-27 JLAM	2013-12-04 MIJ



FLAT VIEW

NOTE: This information is CONFIDENTIAL and PROPRIETARY to VAISALA. It is furnished with understanding that the information will not be copied or disclosed without the written consent of VAISALA. These materials are subject to the exemption 5 U.S.C. Section 552 (b) (4) which provides that trade secrets and commercial or financial information shall not be disclosed to third parties.

General tolerance ISO 2768-m		Design	VAISALA	
Material AISI 304 PL 1	Weight 0.14 kg	Supplier code		
Finish Iridite NCP ✓ Laser Cutting	DOCUMENT CREATION DATA YYYY-MM-DD INITIALS		Title Base Plate, Sheet for ASM210268	
FIRST ANGLE PROJECTION		Creator 2010-12-01 JLAM	Size A3	Code DRW235970
DIMENSIONS ARE IN MILLIMETERS, UNLESS OTHERWISE SPECIFIED		Review 2010-12-27 SEM	Rev D	
		Approved 2010-12-28 MIJ	Scale 1:1	Sheet 2 of 2
		Archive ID SLD227855-D		