

1 2 3 4 5 6 7 8

REVISIONS				
ZONE	REV.	DESCRIPTION	DATE	APPROVED

A A

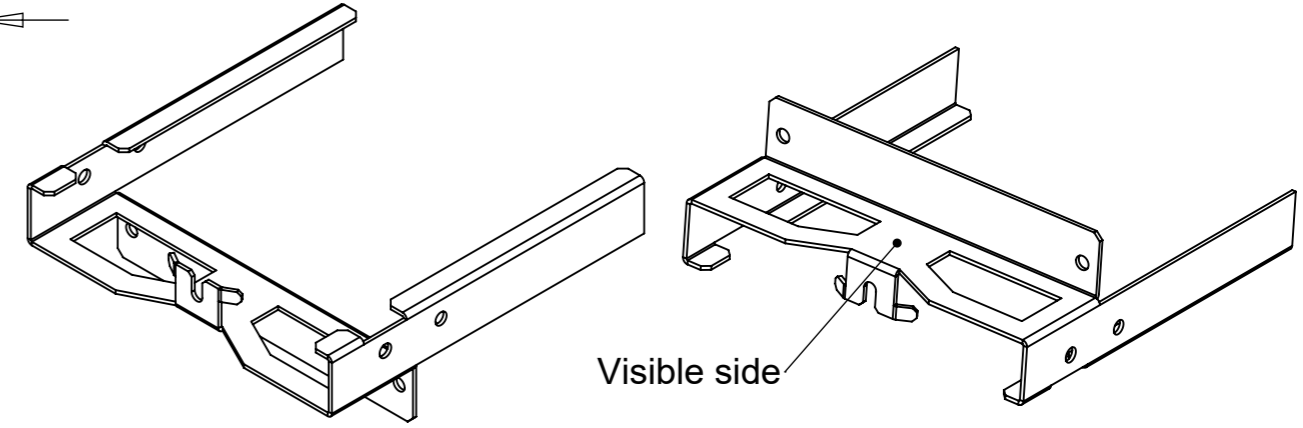
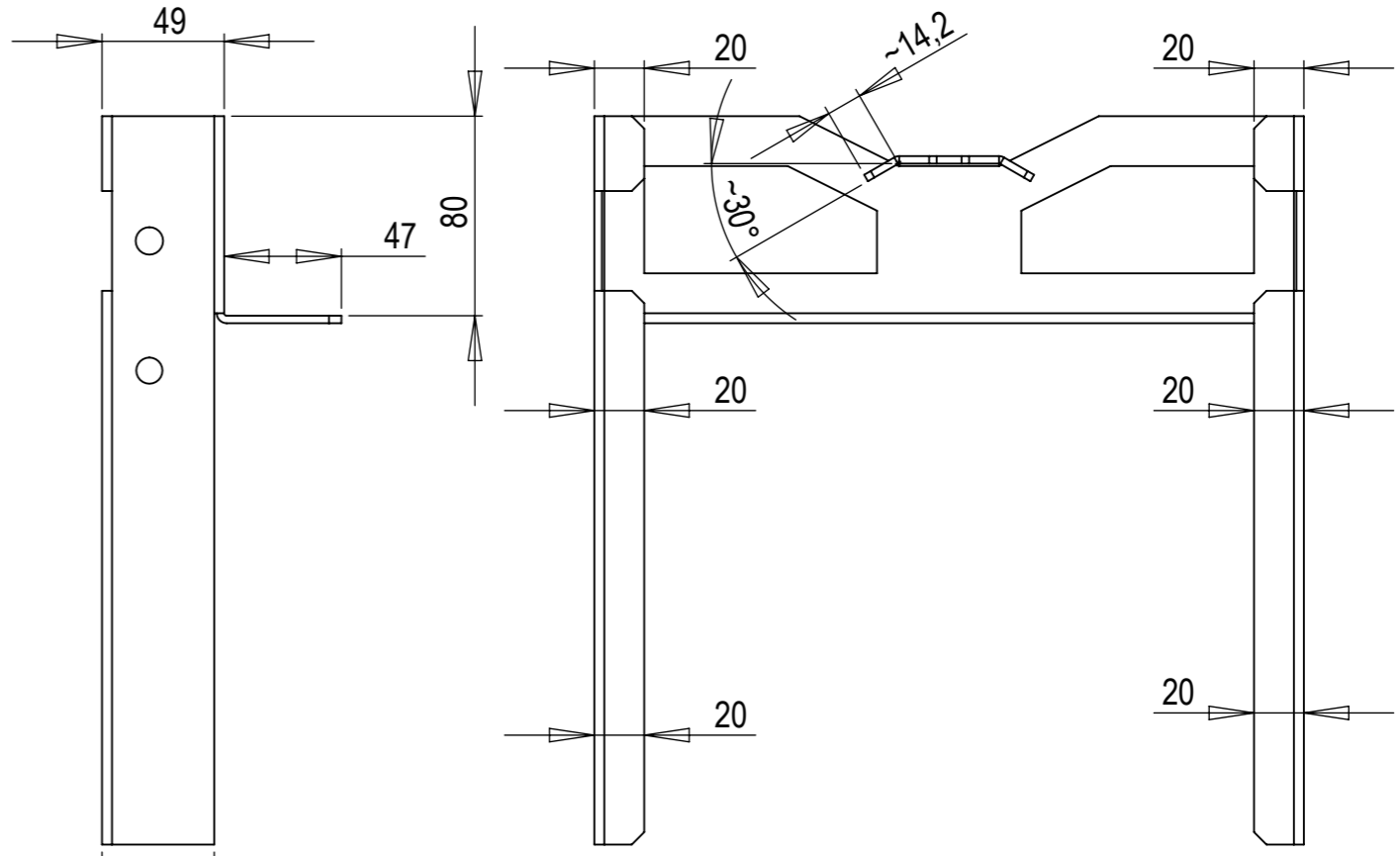
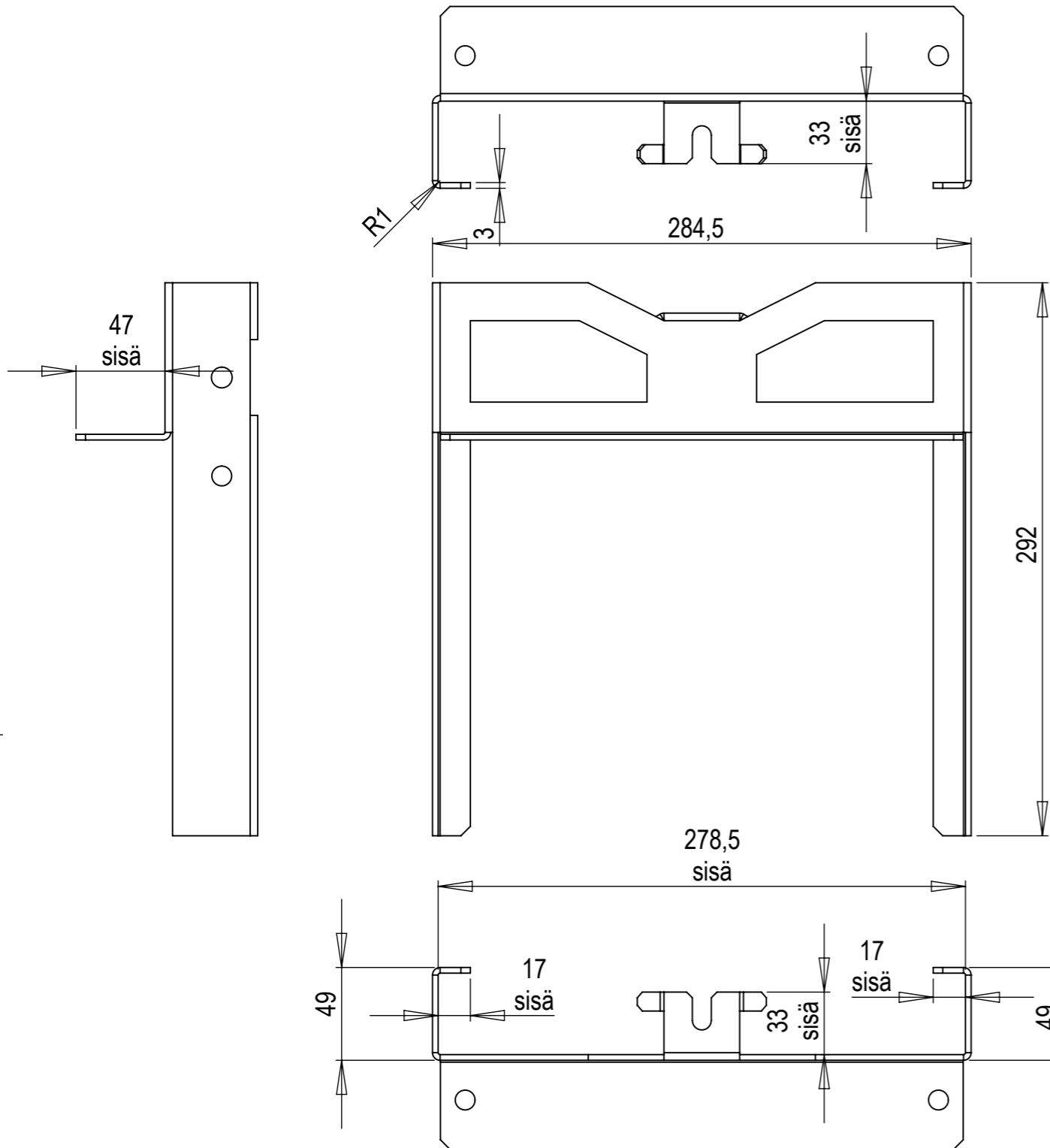
B B

C C

D D

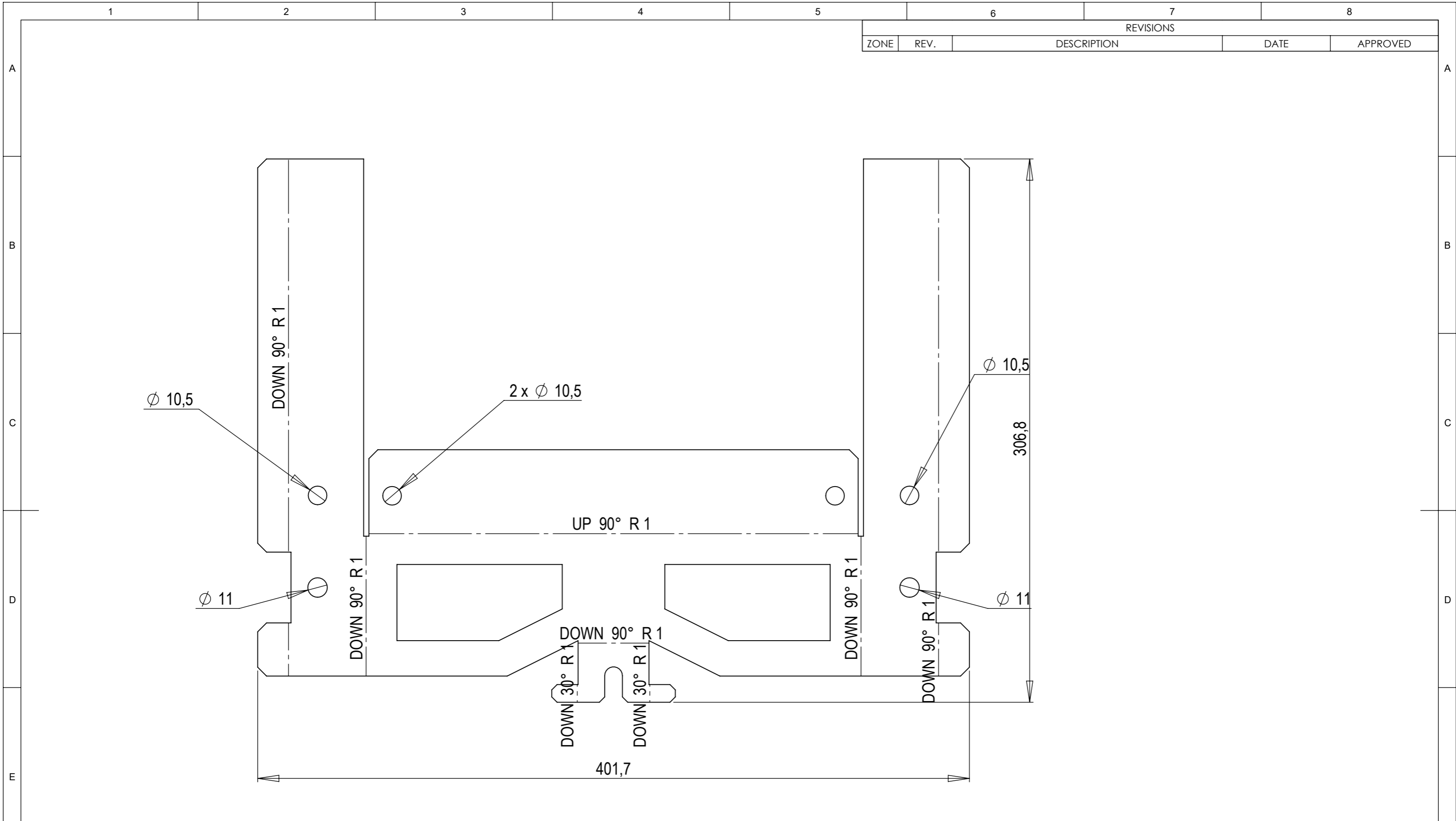
E E

F F



UNLESS OTHERWISE SPECIFIED: DIMENSIONS ARE IN MILLIMETERS		FINISH: - - -		DEBUR AND BREAK SHARP EDGES		DO NOT SCALE DRAWING		REVISION P2	
TOLERANCES: ISO 2768mK									
	NAME	SIGNATURE	DATE			TITLE:			
DRAWN	MPI		5.9.2016			Pole Adaptor Lower			
CHK'D	-		-						
APPV'D	-		-						
MFG									
Q.A									
			MATERIAL: AISI316 s=3,0 mm			DWG NO. 32900		A3	
File:		Navaia_Pole_Adap_Lower			Prod. code: -		SCALE:1:3		SHEET 1 OF 3

1 2 3 4

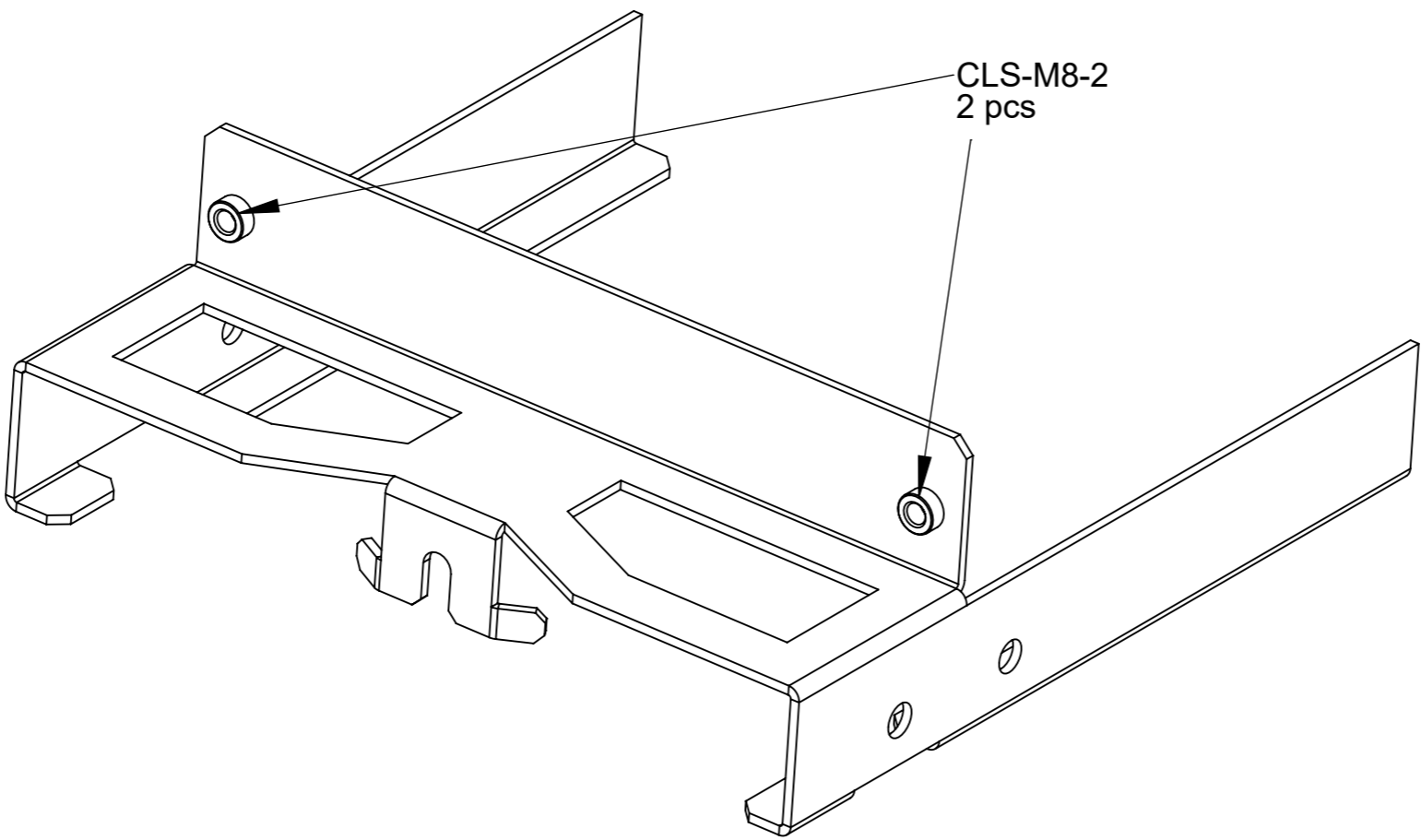


REVISIONS				
ZONE	REV.	DESCRIPTION	DATE	APPROVED

UNLESS OTHERWISE SPECIFIED: DIMENSIONS ARE IN MILLIMETERS		FINISH:		DEBUR AND BREAK SHARP EDGES		DO NOT SCALE DRAWING		REVISION <b>P2</b>	
TOLERANCES: ISO 2768mK		-		-					
	NAME	SIGNATURE	DATE			TITLE:			
DRAWN	MPI		5.9.2016			<b>Pole Adaptor Lower</b>			
CHK'D	-		-						
APPV'D	-		-						
MFG									
Q.A				MATERIAL:		DWG NO.		A3	
				AISI316		32900			
				s=3,0 mm					
File:		Navaia_Pole_Adap_Lower		Prod. code: -		SCALE:1:5		SHEET 2 OF 3	

REVISIONS				
ZONE	REV.	DESCRIPTION	DATE	APPROVED

A  
B  
C  
D  
E  
F



CLS-M8-2  
2 pcs

UNLESS OTHERWISE SPECIFIED: DIMENSIONS ARE IN MILLIMETERS		FINISH: -		DEBUR AND BREAK SHARP EDGES		DO NOT SCALE DRAWING		REVISION P2	
TOLERANCES: ISO 2768mK		-		-					
	NAME	SIGNATURE	DATE			TITLE:			
DRAWN	MPI		5.9.2016			Pole Adaptor Lower			
CHK'D	-		-						
APPV'D	-		-						
MFG									
Q.A									
				MATERIAL: AISI316 s=3,0 mm		DWG NO. 32900		A3	
File:		Navaia_Pole_Adap_Lower		Prod. code: -		SCALE:1:3		SHEET 3 OF 3	