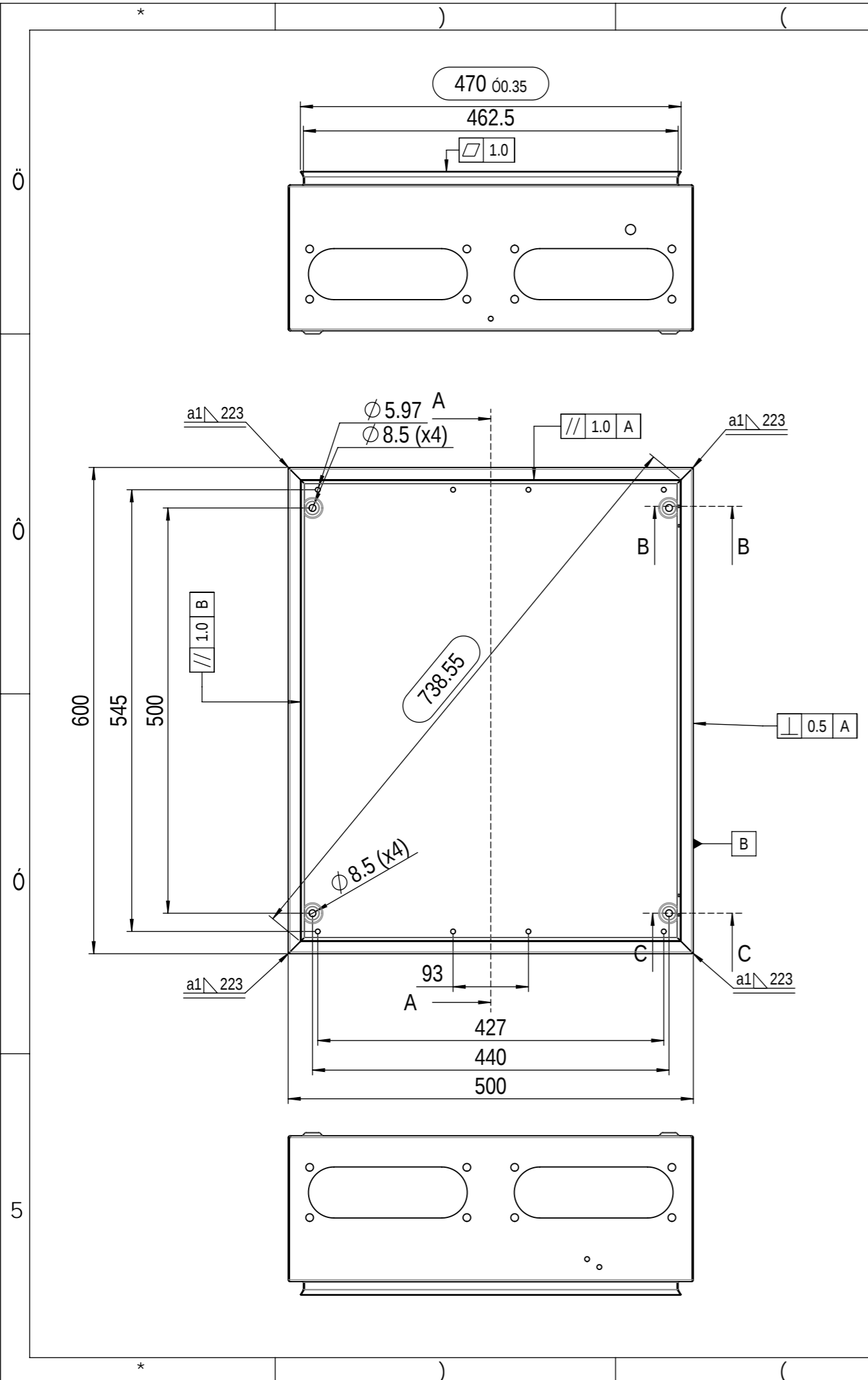
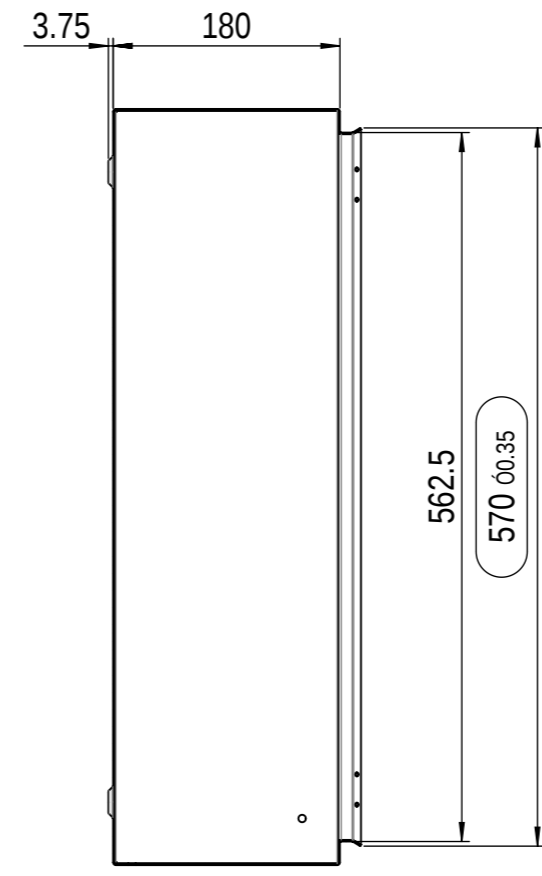


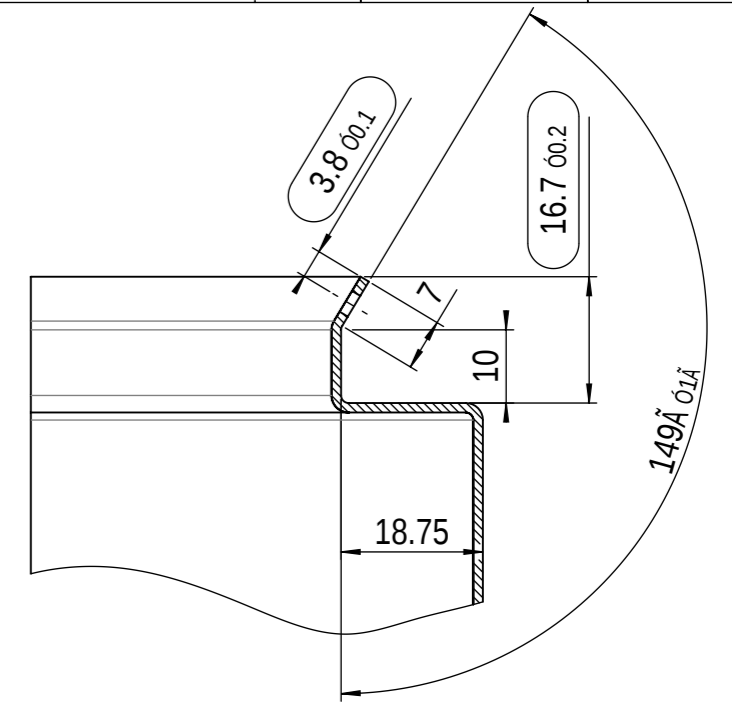
ISO 2768-m
EN 1.4404 /2B (246087)
Bead blasting for welded corners



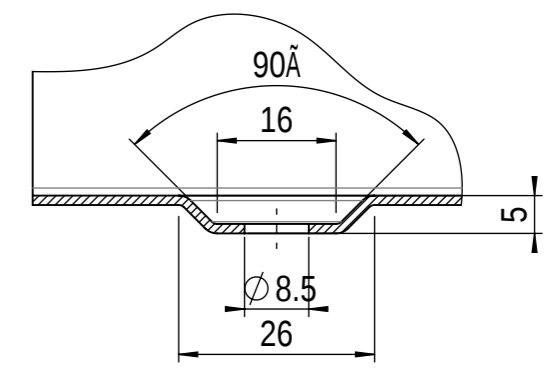
FYJ	E hm	97 C z 8 Y g M j d h c b	8 Y g l b	FYJ Yk YX	5 d d f c j YX
B.1		ECO241589, Finish information updated	TINIS	2020-05-11 TSA	2020-05-12 ARH



SECTION A-A



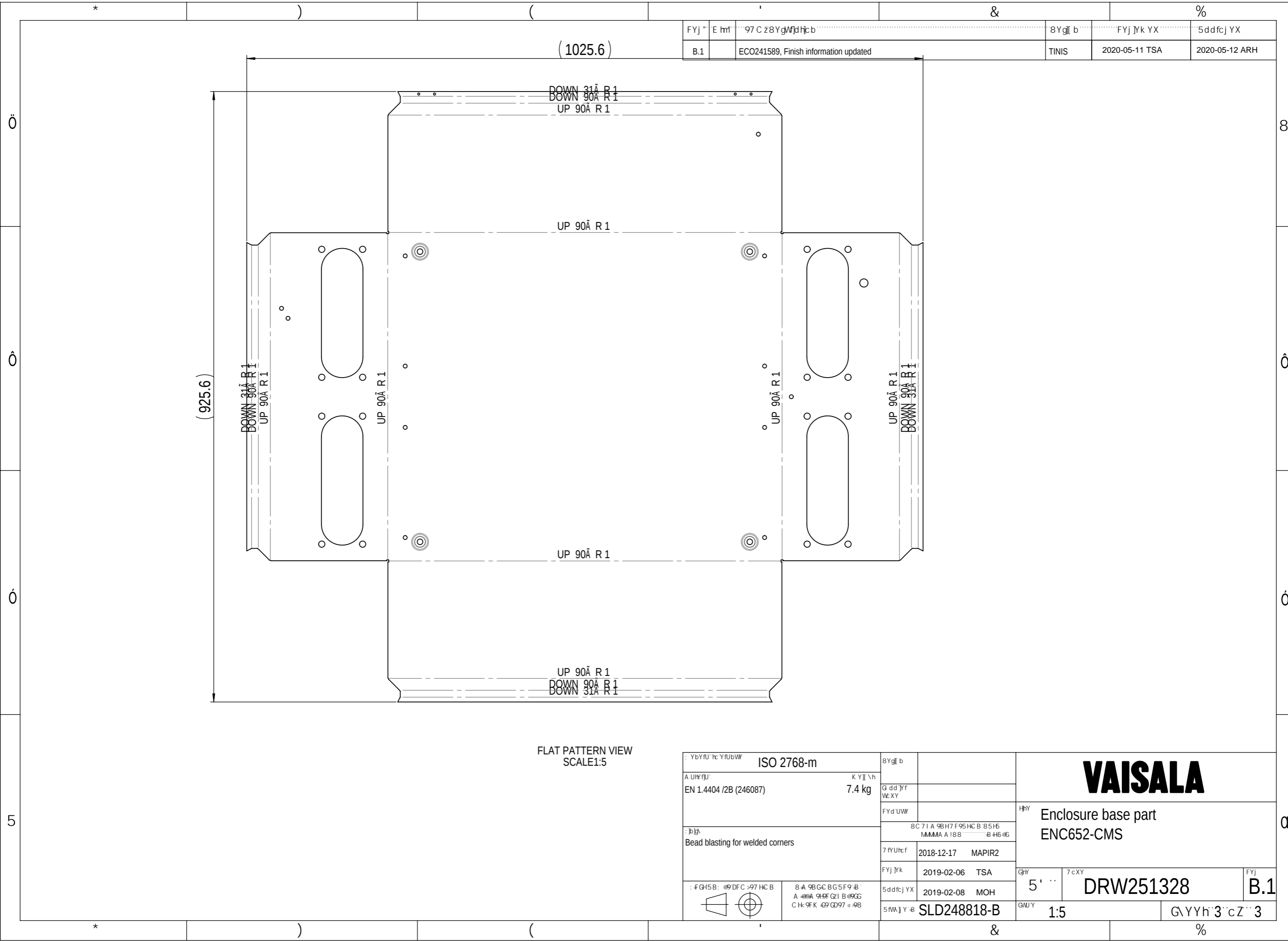
SECTION B-B
SCALE 1:1



SECTION C-C
SCALE 1:1

ISO 2768-m		8 Y g l b	VAISALA		
EN 1.4404 /2B (246087)		K Y l l h	Enclosure base part		
7.4 kg		G d d Y f	ENC652-CMS		
Bead blasting for welded corners		W c X Y			
		FY d U W	DRW251328		
		8 C 7 I A 9 B H 7 F 9 5 H C B 8 5 H 6			FYJ
		M M M A A 1 8 8 B H 5 6 G			B.1
		7 Y U t c f	2018-12-17	MAPIR2	
		FYJ Yk	2019-02-06	TSA	
: FGH5B : 9 DFC >97 HC B		5 d d f c j YX	2019-02-08	MOH	
8 A 9 B G C B G 5 F 9 B		5 N A j Y e			
A 9 B A 9 B F C 2 I B 9 G G		SLD248818-B			
C H : 9 F K 4 9 G D 9 7 ÷ 9 8		1:6			
		G Y Y h 1 c z 3			

PUUNO/...
 X...
 C...



FLAT PATTERN VIEW
SCALE:1:5

YbYU' tC YfUbwW		ISO 2768-m	8Ygll b	VAISALA	
A UH'fJU'	EN 1.4404 /2B (246087)	K Yll \h 7.4 kg	G dd'Yf WcXY		
: b jk Bead blasting for welded corners		8C 71 A 9BH7 F95 HC B 85H6 MMMA A 18B B H5 @G	FYd UW	HfY Enclosure base part ENC652-CMS	
: fGH5B : @9 DFC >97 HC B		8 A 9BG C BG5F9 B A @BA 9HDF Q21 B @9GG C H: 9FK @9 GD97 ÷ 98	7 YU tC f 2018-12-17 MAPIR2	GfY 5' ... 7cXY DRW251328	
5			FYj Yk 2019-02-06 TSA	FYj B.1	
			5ddfcj YX 2019-02-08 MOH	GNY 1:5	
			5WA J Y @ SLD248818-B	GYYh' 3' cZ' 3	

CE