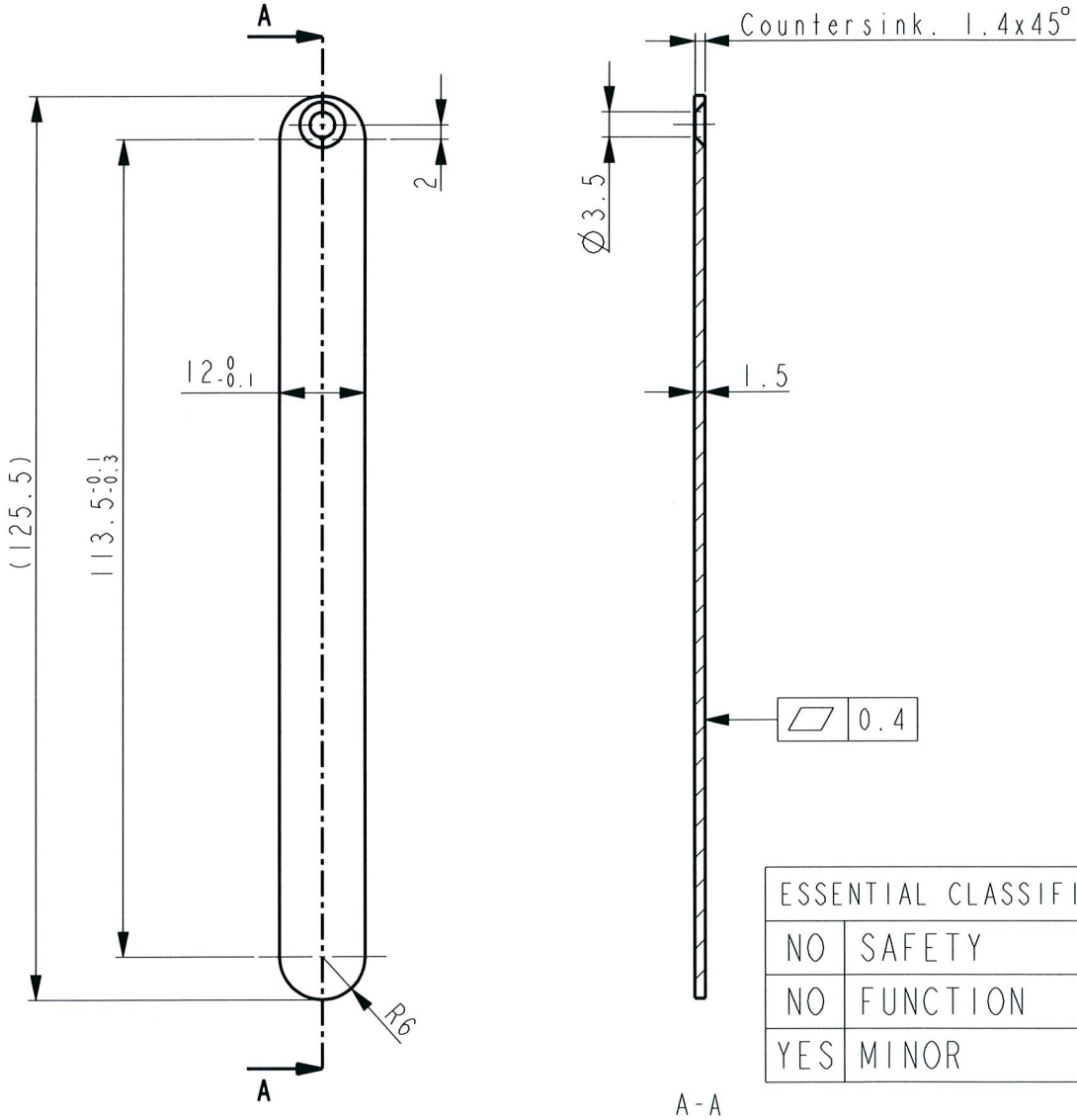
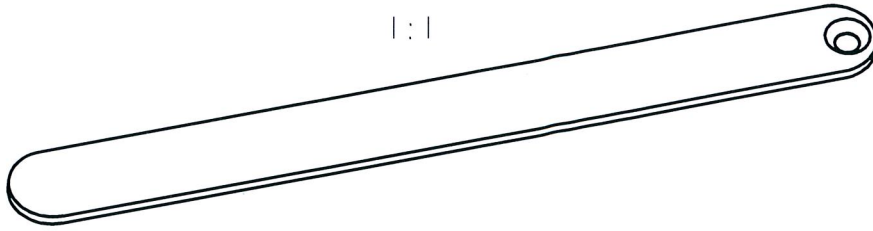


This document is the property of GE Healthcare. It can not neither be reproduced nor conveyed to any third party without the written permission of a person authorized to do so by GE Healthcare

Revisio	ECR/ECO num.	Change Description	Change date and Designed
2	2147974	Add planarity requirement	19.04.2013 Lars Dahlström



ESSENTIAL CLASSIFICATION		
NO	SAFETY	ES
NO	FUNCTION	EF
YES	MINOR	

REMOVE ALL BURRS AND SHARP EDGES !
PURSEET JA TERÄVÄT SÄRMÄT POISTETAAN!

3.2

State: RELEASE - Document is released and under formal Change Control. Changes are subject to the ECR/ECO Process. See the GE CAD Workshop System to determine the status of this document.

NOMINAL SIZE mm	0 - 200	200 - 500	> 500	MECHANICAL	0.5 mm	LENGTH OF SHORTEST SIDE IN mm	< 10	10 - 60	50 - 120	> 120	ANGLE DEVIATION EN 18	±1.8	±0.9	±0.6	±0.3
	DEVIATION mm	±0.2	±0.5	±1	±2	MECHANICAL SHEET	±0.5	±1	±2						

Material EN AW-1050A		Mat. code -	Draw: 82865-IMG 0+ Initial	Surface finishing Anodizing Natural Colored
Belongs to -		Name CROSSHAIR DIAPHRAGM COVER		
ECO number 80190	Scale A4	Nimi		Device
Date and Designed 07-Jun-01 Unto Mattinen		Code 82865-IMG DDW		Rev 2



GE Healthcare